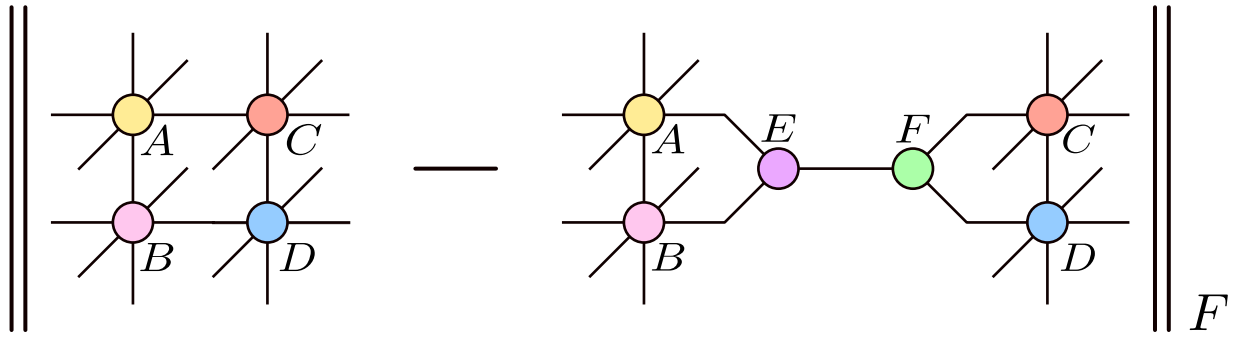
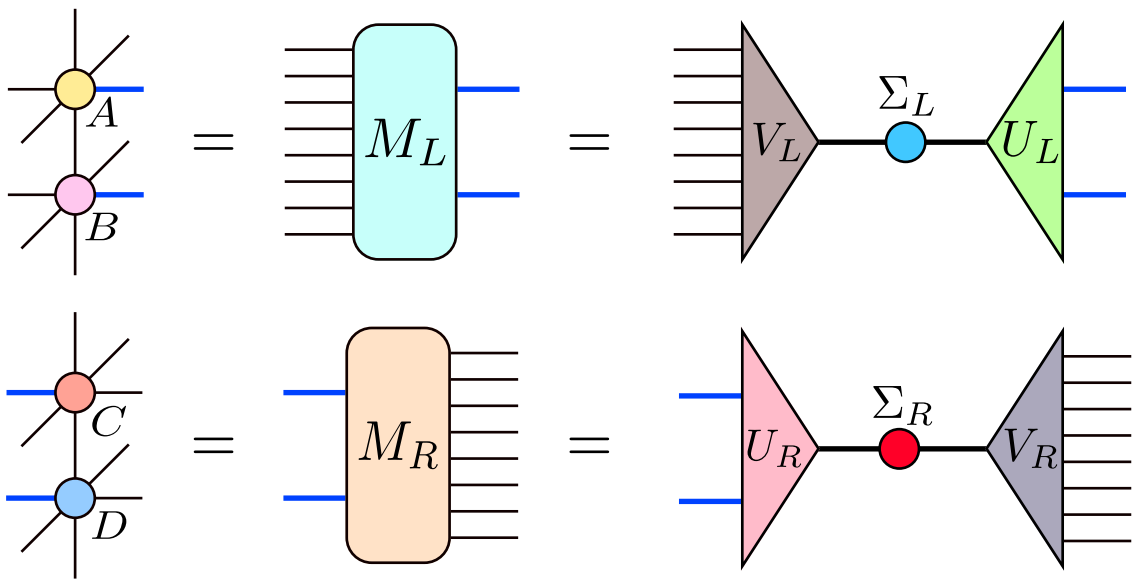


This pdf describes an construction of squeezers. The method is based on [1,2] .

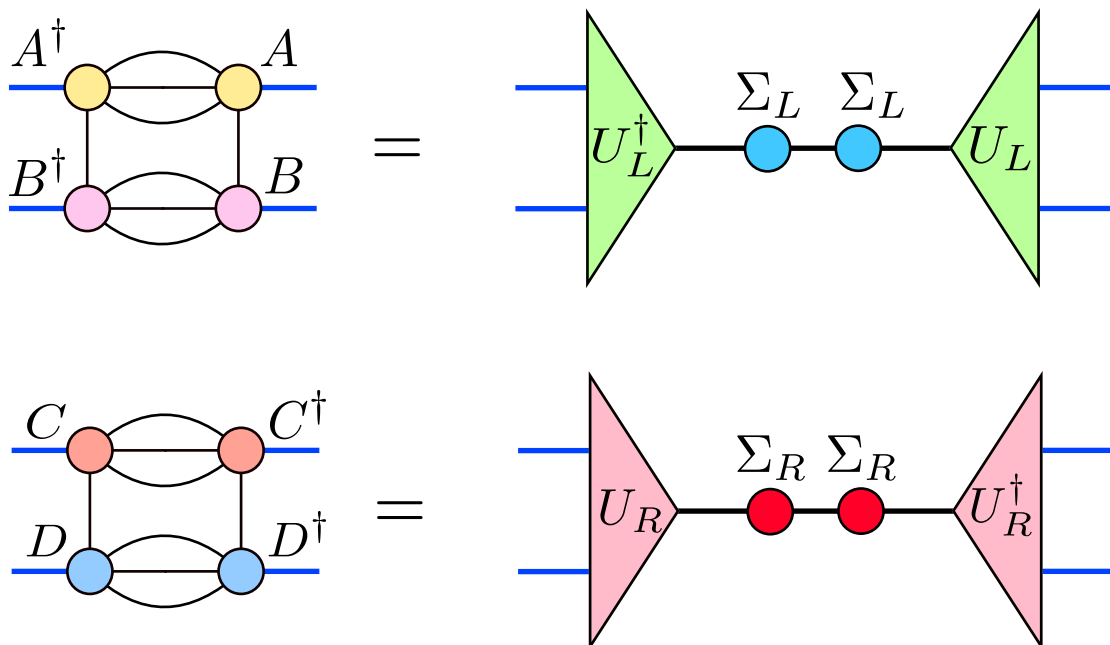
consider minimizing



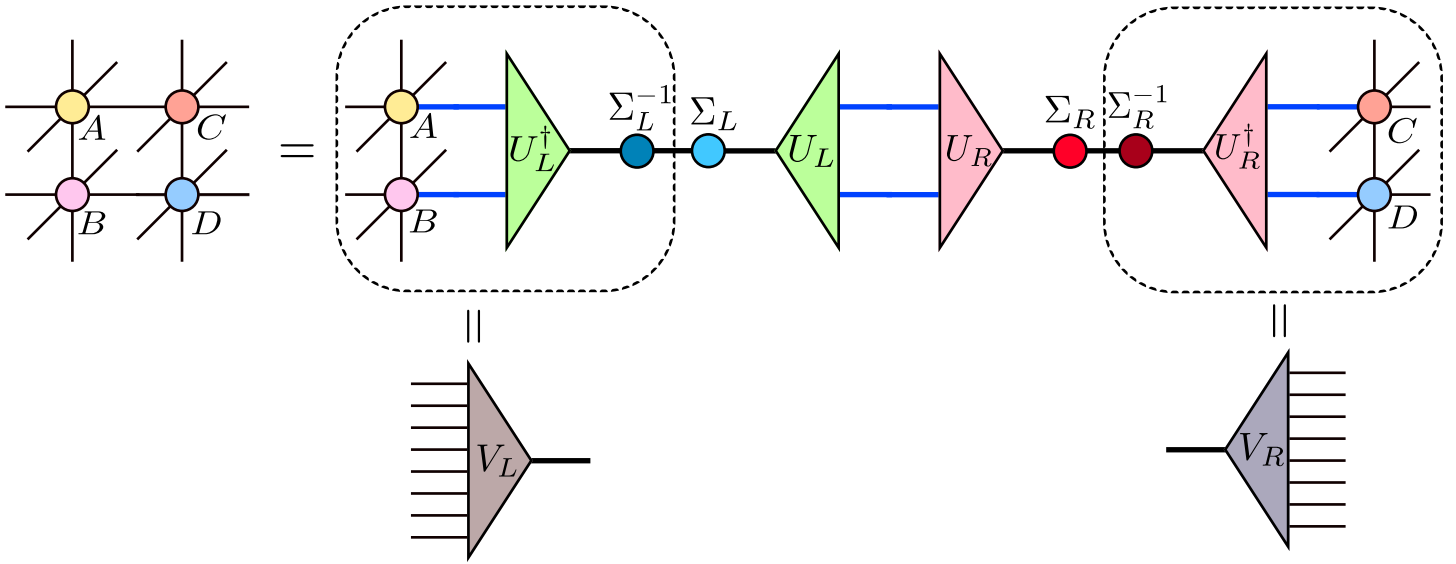
suppose SVD (w/o truncation)



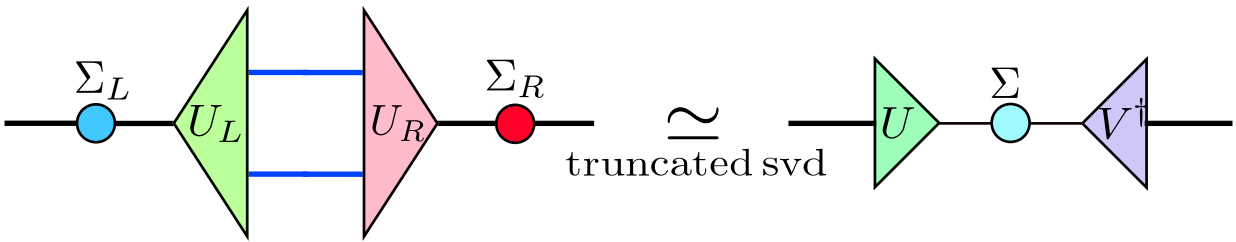
Instead, perform EVD to reduced density matrix



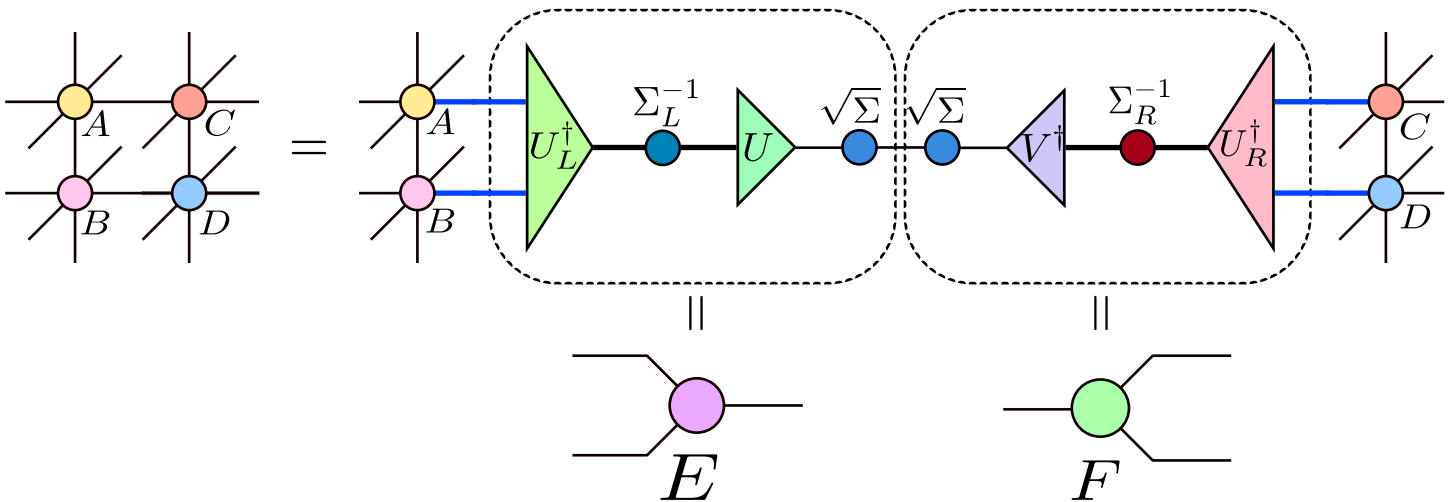
rewrite unitcell as



Perform truncated SVD



Get squeezers E and F



- [1] S. Akiyama, Tensor Renormalization Group Approach to Higher-Dimensional Lattice Field Theories.
 [2] K. H. Pai, S. Akiyama, and S. Todo, J. High Energ. Phys. 2025, 27 (2025).